

ITR830 – MITSUBISHI ELECTRIC to KNX GATEWAY



TECHNICAL DATA

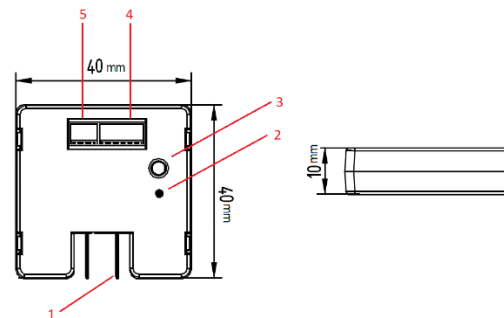
Device	ITR830
Power Supply	EIB Power Supply
Power Consumption	10mA
Inputs	3 Dry Contact Inputs
Push Buttons	1 x KNX programming
LED indicators	1 x KNX programming
Mode of commissioning	S-Mode
Type of protection	IP 20
Temperature Range	Operation (-10°C...70°C) Storage (-25°C...100°C)
Maximum air humidity	<90RH
Flammability	Non-flammable product
Colour	Light Grey
Dimensions	40x10x40 mm (WxHxD)
Certification	KNX Certified
Configuration	Configuration with ETS

DESCRIPTION

ITR830 is used for monitoring and control all the functioning parameters of Mitsubishi Electric air conditioners with KNX and ITR830 is compatible with models in PAC, RAC and City Multi VRF and Industrial types categorized in compatibility list (AP.1) sold by Mitsubishi Electric.

ITR830 has easy installation feature. It can be installed inside the own AC indoor unit, it connects one side directly to the electronic circuit of the AC indoor unit (cable supplied) and in the other side directly to the KNX bus.

CONNECTION DIAGRAM



FUNCTIONS

- Provides complete bi-directional integration of Mitsubishi Electric AC with KNX bus.
- Provides 3 binary inputs to integrate into KNX (i.e. motion detector, evacuation pump, window contact)
- Provides extra communication objects for giving maximum flexibility.
- Includes 4 logical and 8 converter advanced parameters for energy savings, configurable scenes, temperature limits etc.
- Provides AC unit error notifications for exception errors.

1. KNX connector
2. Programming LED
3. Programming button
4. Inputs
5. AC indoor unit connection

Connection cable supplied with the gateway device. It directly connects to indoor unit's control board which marked as CN105 or CN92 connector.

